

# THE CITY OF NAPOLEON

BUILDING & ZONING DEPARTMENT

255 W. RIVERVIEW

(419) 592-4010

---

## Sign Permit

Permit Number: SG2007-17

Page 1 of 1

Printed: 7/7/2008

---

### ADDRESS:

*1320 Woodlawn Ave.*

---

### Applicant

**Name:** Pure Sports Designs LLC/ dba Pro Sign Design

**Address:** PO Box 111

### Approval Date:

937-465-0595

---

### Owners

**Name:** Marlene Benecke

**Address:** 1320 Woodlawn Ave

Napoleon, OH 43545

**Phone:** 419-599-1057

---

### Contractors

**Contractor Type:** Sign

**Name:** Pure Sports Designs LLC/ dba Pro Sign Desig W Liberty 43357

**Address:** PO Box 111

**Phone:** 937-465-0595

---

### Fees and Receipts:

Number	Description	Amount
FEE2007-504	Sign (Auto)	\$35.00
<b>Total Fees:</b>		<b>\$35.00</b>
RCPT2007-399		\$35.00
<b>Total Receipts:</b>		<b>\$35.00</b>

### LED Sign

APPLICANTS SIGNATURE: \_\_\_\_\_ DATE: \_\_\_\_\_

**REMINDER: YOU MUST CALL (419)592-4010 FOR AN INSPECTION**

---



CITY OF NAPOLEON  
BUILDING & ZONING DEPARTMENT  
255 W. Riverview Avenue, PO Box 151, Napoleon, OH 43545  
Phone: 419-592-4010 - Fax: 419-599-8393

APPLICATION FOR SIGN PERMIT

LOCATION OF PROPERTY: 1320 Woodlawn Ave

OWNER NAME: Marlene Benecke PHONE: 599-1057

OWNER ADDRESS: TANUS PIZZA

CONTRACTOR NAME: Pro Sign Design PHONE: 937-465-0595

IS CONTRACTOR REGISTERED WITH THE CITY OF NAPOLEON?  YES  NO

TYPE:  POST  WALL  GROUND  AWNING

DIMENSIONS: 6' 1/2" x 2' 1/2" = TOTAL S.F. 16.25 X2

\*\* PLEASE INCLUDE ANY AND ALL SITE PLANS AND PLANS OF ABOVE SIGNS. (Double Sided)

FEES:

\$35.00 BASE UP TO 50 S.F. OF SIGN, PLUS \$0.20 PER ADDITIONAL S.F., NOT TO EXCEED \$150.00

\$5.00 PLAT FEE FOR TEMPORARY SIGNS, TEMPORARY SPECIAL EVENT SIGNS, AND PORTABLE SIGNS OTHER THAN THOSE EXEMPT FROM FEE (SEE BELOW)

NO FEE REQUIRED FOR TEMPORARY AND EASILY REMOVABLE 1<sup>ST</sup> AMENDMENT SIGNS, OR SIGNS RELATED TO RELIEF OR CHARITABLE CAUSES OR EVENTS.

APPLICANT'S SIGNATURE [Signature]

DATE 9-10-07



A Division of Pure Sports Designs LLC  
 232 Linden Ave., West Liberty, Ohio 43357  
 Phone: 937-465-0595

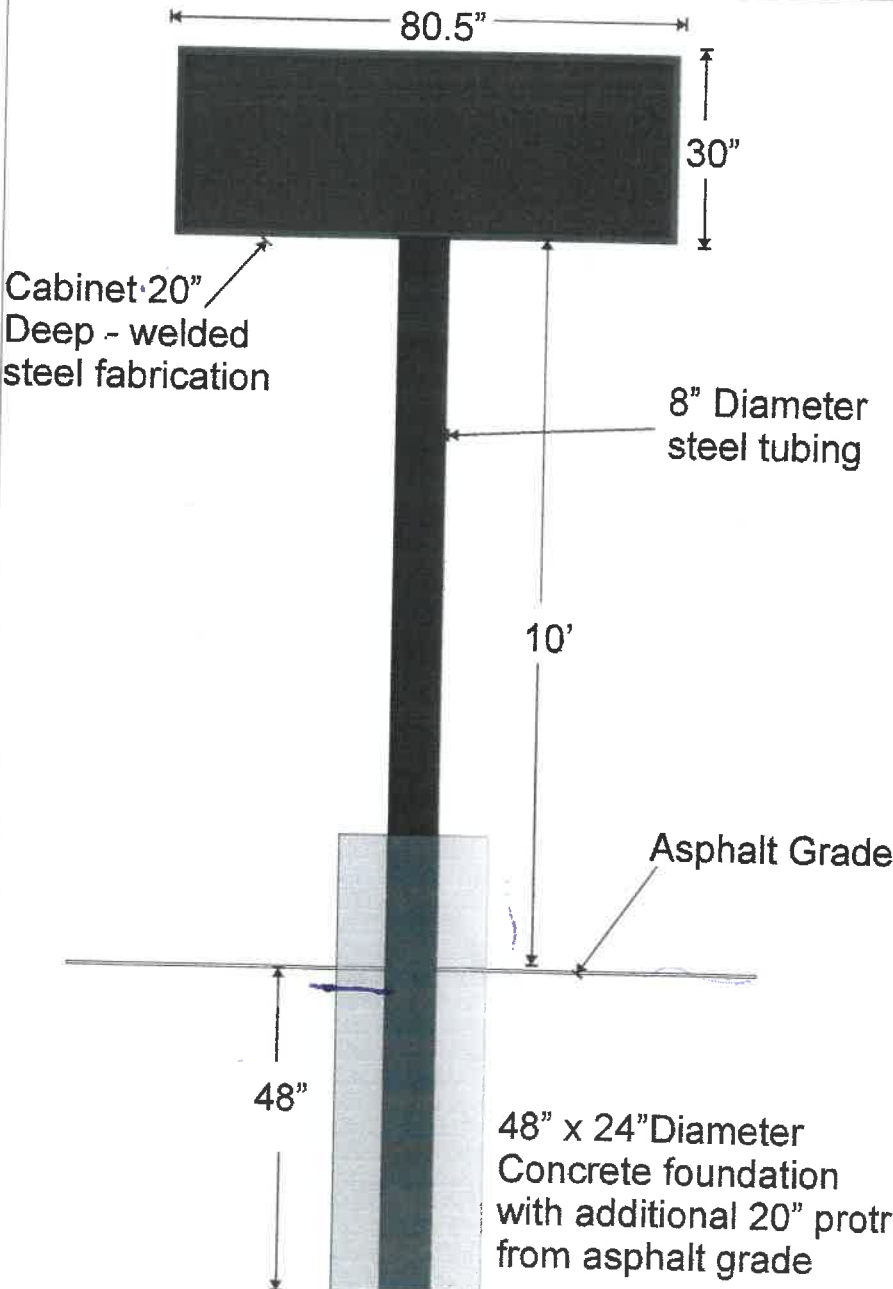
Fax: 937-465-0594

Cellular: 937-935-5595

e-mail: jenny@puresportsdesigns.com  
 web site: www.puresportsdesigns.com

**TERMS AND CONDITIONS**

ALL ITEMS LISTED IN THIS PROPOSAL, REMAIN PROPERTY OF PRO SIGN DESIGN UNTIL PAID IN FULL. All Designs are the property of Pro Sign Design and may not be duplicated without written permission. 50% DEPOSIT REQUIRED. BALANCE DUE ON COMPLETION. ALL MATERIAL IS GUARANTEED TO BE AS SPECIFIED. ALL WORK IS TO BE COMPLETED IN A WORKMAN LIKE MANNER ACCORDING TO STANDARD PRACTICES. ANY DEVIATION FROM THE ABOVE SPECIFICATIONS INVOLVING EXTRA COSTS WILL ONLY BE EXECUTED UPON WRITTEN ORDER, AND WILL BECOME AN EXTRA CHARGE OVER AND ABOVE THE ESTIMATE. ALL AGREEMENTS CONTINGENT UPON ACCIDENTS OR DELAYS BEYOND OUR CONTROL. ALL SIGN PERMITS ARE THE RESPONSIBILITY OF THE PROPERTY OWNER. PRO SIGN DESIGN ACCEPTS NO RESPONSIBILITY FOR INSTALLING SIGNS WITH NO PERMITS.



<b>LANDLORD APPROVAL</b>	The undersigned consents to the installation and maintenance of the sign on my property in accordance with the agreement between Pro Sign Design and my tenant(s) and any extension, renewals or modifications thereof.
<b>DESIGN, SPECIFICATIONS AND COLOR APPROVALS</b>	The drawing is the property of Pro Sign Design. All rights to it's use for reproduction are reserved by Pro Sign Design.

<b>Property Owner or Authorized agent</b>	<b>Date</b>	<b>Customer</b>	<b>Date</b>
---	-------------	-----------------	-------------

<b>CLIENT:</b> Tano's Pizza	<b>DATE:</b> 9/13/07
<b>ADDRESS:</b> 1320 Woodlawn Ave	
<b>CITY, STATE:</b> Napoleon, Ohio 43545	
<b>FILE:</b> c:\Corell\Graphics8\draw\tanopizza.cdr	
<b>PAGE #:</b> 1 of 1	<b>Revision:</b> A

**THE CITY OF NAPOLEON  
BUILDING & ZONING DEPARTMENT  
255 W. RIVERVIEW  
(419)592-4010**



---

**Inspections**

Page 1 of 1

**Address:** 1320 Woodlawn Ave.  
Napoleon, OH 43545

Printed: 4/3/2008

**Applicant:** Pure Sports Designs LLC/ dba Pro Sig    **Permit Number:** SG2007-17

---

**Inspection Date:** 4/3/2008  
**Inspection Number:** INSP2008-56  
**Inspection Type:** Sign

**Inspector:** Tom Zimmerman  
**Status:** Complete  
**Passed?**

**Required Steps:**

**Comments:**

---

**Other Fields:**